

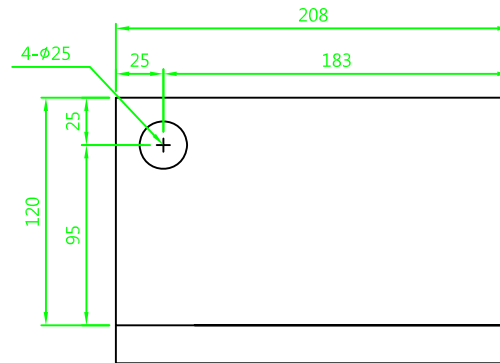
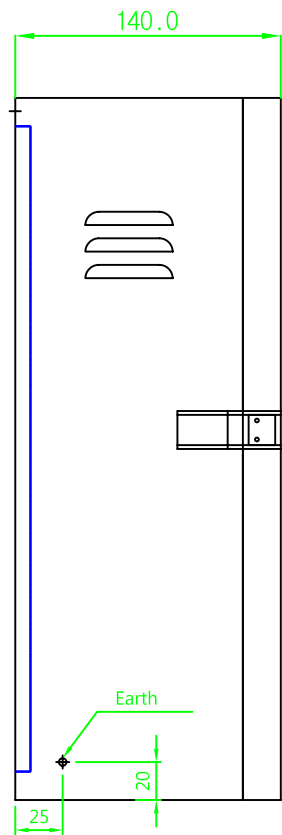
RevNo	Revision note	Date	Signature	Checked

GAS LEAK DETECTOR

MODEL : EW503 2P

DIMENSION

가로 : 208 mm 세로 370 mm 깊이 140 mm



CLASS OF FINISH	Tolerance(ISO 2768)	Itemref	Quantity	Title/Name, designation, material, dimension etc	Article No./Reference
~	section series Fine Medium Coarse	Designed by	Checked by	Approved by - date	File name
∇	50S - 6 ±0.05 ±0.1 ±0.2	DESIGNED_BY	CHECKED_BY	APPROVED_BY_DATE	FILENAME
∇∇	12.5S 6 - 30 ±0.1 ±0.2 ±0.5	이우기기			EW503_2P ASSY
∇∇∇	3.2S 30 - 120 ±0.15 ±0.3 ±0.8				Date
∇∇∇∇	0.8S 120 - 315 ±0.2 ±0.5 ±1.2	이우기기			EW503_2P_2015.DWG
∇∇∇∇∇	0.4S 315 - 1000 ±0.3 ±0.8 ±2				Edition
∇∇∇∇∇∇	1000 - 2000 ±0.5 ±1.2 ±3				EDITION SHEET