

[Explosion-Proof Interruption Device User Manual]

[NOTICE]

- Surely be aware of the specifications by skilled worker prior to using the product.
- Surely keep the specifications to where you are always able to see.

1. specification

1. CONTROL

MODEL NO	EWExC103
Power frequency	AC220V
Operating temperature	-10°C~40°C
Operating Humidity	0~90%
Working voltage(open/close)	DC 24V
Alarm lamp	Blinking yellow light
Alarm volume	70 dB or more
Signal input voltage (alarm input)	contact input
Input signal line	3 lines
Dimensions	180x260x120mm
Open No-voltage contact output	NO NC COM 2EA
Closed No voltage contact output	NO NC COM 2EA
Open closed control	Closes when the switch is ON, and opens when the switch is OFF.
Breaker connection line	4C Open/Close 2C Open Check 1C Close Close 1C
Weight	5.7Kg

2. ACTUATORS

Model number	NA028 -EW125	NA080 -EW150	NA100 -EW200	NA200 -EW250	NA300 -EW300
Pipe size(inside diameter)	125A	150A	200A	250A	300A
Drive power	DC24V	AC 220V			
Explosion-proof rating	Ex d IIB T4				
Torque	280N.m	800N.m	1000N.m	2000N.m	3000N.m
Opening/close time	Within 20sec	within 24sec	within 24sec	within 72sec	within 96sec
Opening and closing angle	90° ±5°				
Dielectric strength	AC 1800V/ 1min				
Insulation treatment	DC 500V more than 100M ohm				
External material, surface treatment, external coating	Aluminum/ Anodizing/ Polyester				
Operating temperature	-20°C~55°C				
Limit Switch	Open/ close limit switch				
Mounting method	Pipe bolt tightening method				
Dimensions	321x277x244	362x315x297		554x407x344	
Cable Entries	2-PF3/4"				
Weight	14kg	24kg			60kg

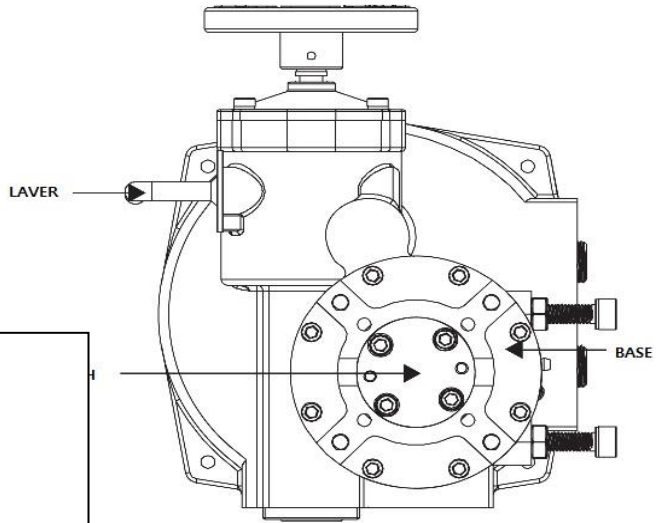
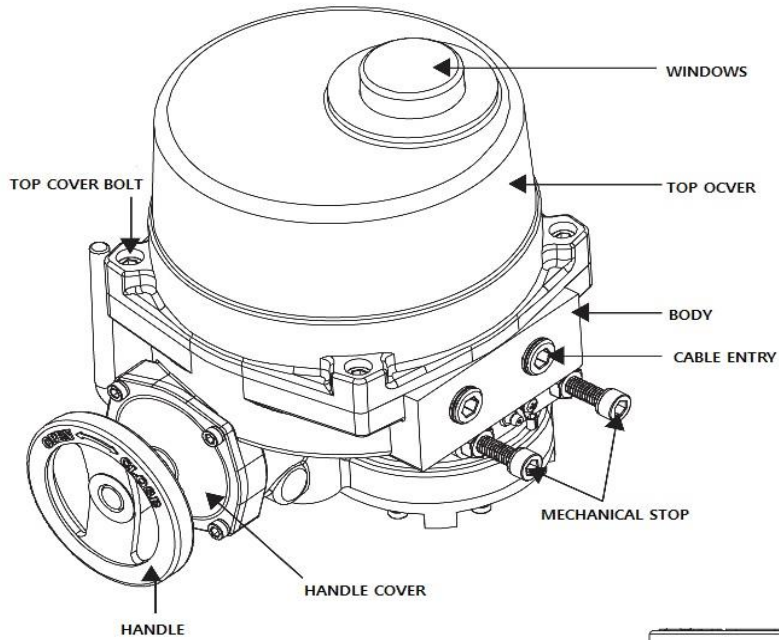
***** CAUTION: Installation with the handle facing the sky must be avoided*****

3. CONTROL



4. ACTUATORS

EWNA019~ EWNA100



EWNA006~EWNA019

EWNA200~EWNA300

