

[Explosion-Proof Interruption Device User Manual]

[NOTICE]

- Surely be aware of the specifications by skilled worker prior to using the product.

● Surely keep the specifications to where you are always able to see.

1. specification

1. CONTROL

MODEL NO	EWExC103
Power frequency	AC220V
Operating temperature	-10°C~40°C
Operating Humidity	0~90%
Working voltage(open/close)	DC 24V
Alarm lamp	Blinking yellow light
Alarm volume	70 dB or more
Signal input voltage (alarm input)	contact input
Input signal line	3 lines
Dimensions	180x260x120mm
Open No-voltage contact output	NO NC COM 2EA
Closed No voltage contact output	NO NC COM 2EA
Open closed control	Closes when the switch is ON, and opens when the switch is OFF.
Breaker connection line	4C Open/Close 2C Open Check 1C Close Close 1C
Weight	5.7Kg

2. ACTUATORS

Model number	SA05X- EW25	SA05X- EW32	SA05X- EW40	NA006- EW50	NA009- EW65	NA015- EW80	NA019- EW100
Pipe size(inside diameter)	25A	32A	40A	50A	65A	80A	100A
Drive power	DC 24V						
Explosion-proof rating	Ex d IIB T4						
Torque	50N.m			60N.m	90N.m	150N.m	190N.m
Opening/close time	within 17sec			within 17sec		within 20sec	
Opening and closing angle	90° ±5°						
Dielectric strength	AC 1800V/ 1min						
Insulation treatment	DC 500V more than 100M ohm						
External material, surface treatment, external coating	Aluminum/ Anodizing/ Polyester						
Operating temperature	-20°C~55°C						
Limit Switch	Open/ close limit switch						
Mounting method	Pipe bolt tightening method						
Dimensions	193x83x199			229x270x188		254x274x224	
Cable Entries	2-PF2/1"			2-PF3/4"			
Weight	5kg			9kg	9kg	11.5kg	11.5kg

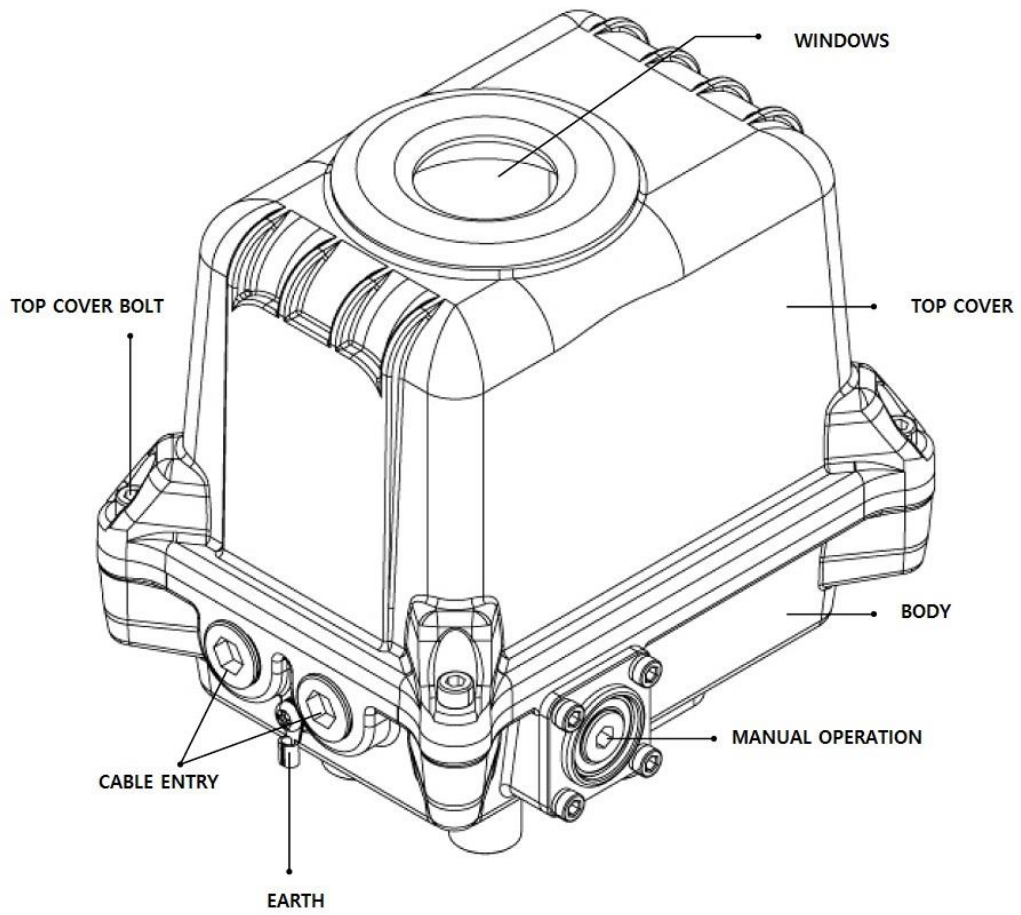
***** CAUTION: Installation with the handle facing the sky must be avoided*****

3. CONTROL



4. ACTUATORS

EWSA05X



EWNA006~EWNA019

